

N 838 SERIES VACUUM PUMPS



N 838 KNDC

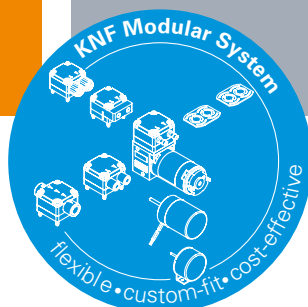
ADVANTAGES

- Excellent price/performance ratio
- High level of performance in a compact size

POSSIBLE AREAS OF USE

- Instrumental analysis (i.a. degassing)
- Diagnostics – disposal of sample waste
- Vacuum technology – pick & place applications
- Medical technology – OR-suction devices

Please visit our website
www.knf.com
to get more information



PERFORMANCE DATA

Series model	N 838					
Material design	KNE	ANE	KNDC	ANDC	KNDC-B	KN.29 DC-B
Pump head	PPS	Aluminum	PPS	Aluminum	PPS	
Diaphragm	EPDM					
Valves	FPM					
Flow rate at atm. pressure (l/min)	34.0		32.0		34.0	8.5–34.0
Ultimate vacuum (mbar abs.)	100					
Max. operating pressure (bar rel./psig)	0.5/7.3					
Permissible ambient temperature (°C)	+5 ... +40					
Permissible media temperature (°C)	+5 ... +40					
Weight (kg/lbs)	2.3/5.1		2.2/4.8	2.4/5.3	2.0/4.4	

ELECTRICAL DATA

Voltage (V)	230	12 24	24
Motor	Capacitor motor	DC motor	Brushless DC motor
Protection class motor	IP 00	IP 50	IP 20
Frequency (Hz)	50	-	
Power P ₁ (W)	100.0	-	58.0
I _{max} (A)	0.60	3.7 1.9	2.40

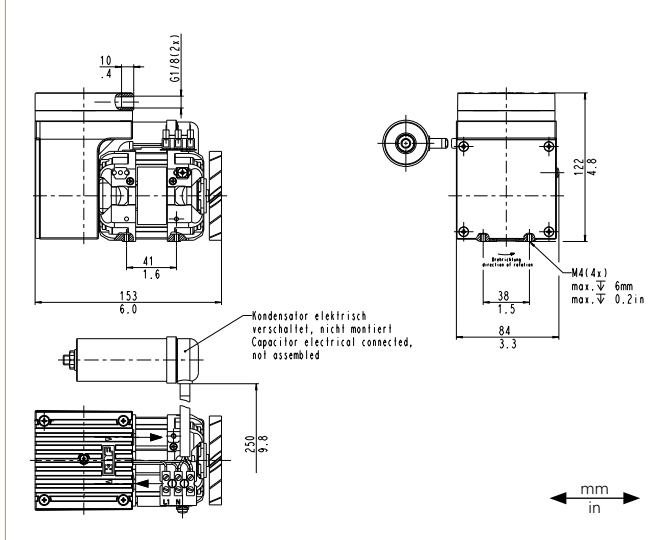
N 838 KNE | ANE

PERFORMANCE DATA

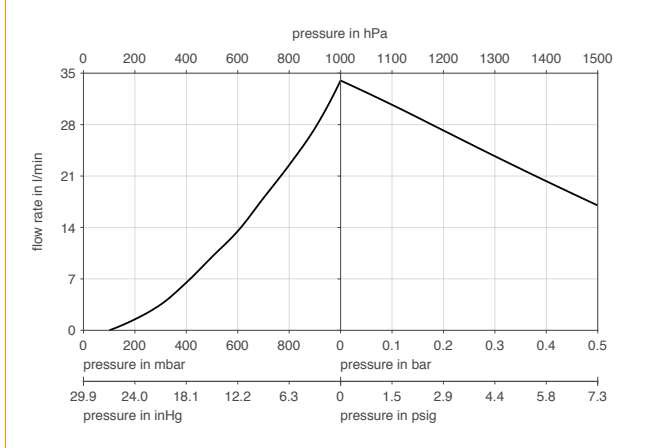
Series model	Flow rate at atm. pressure (l/min) ¹⁾	Max. operating pressure (bar rel./psig)	Ultimate vacuum (mbar abs.)
N 838 KNE	34.0	0.5/7.3	100
N 838 ANE	34.0	0.5/7.3	100

¹⁾ Liter at STP

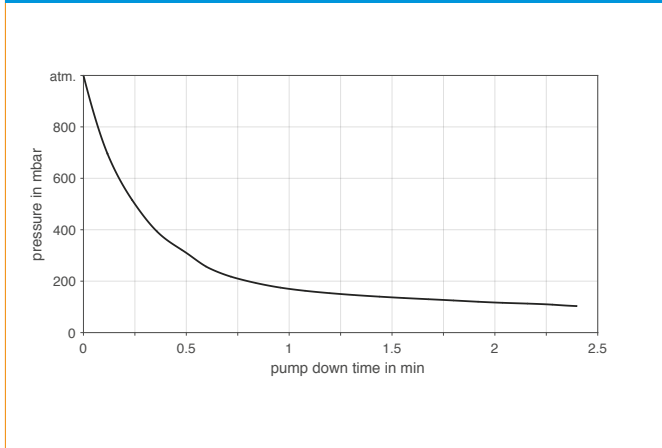
N 838 _NE



N 838 _NE



N 838 _NE | PUMP DOWN TIME FOR 10 LITER VESSEL



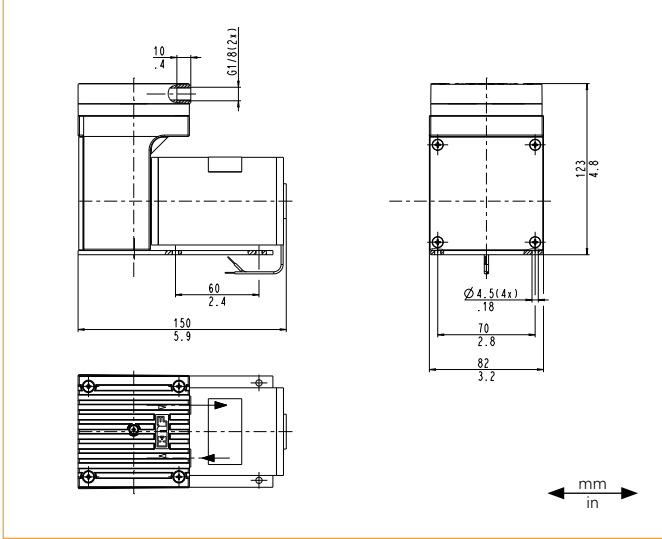
N 838 KNDC | ANDC | KNDC-B | KN.29 DC-B

PERFORMANCE DATA

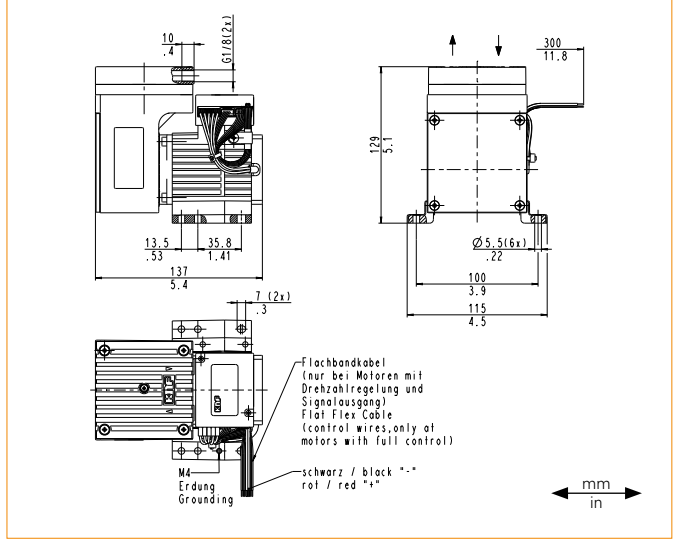
Series model	Flow rate at atm. pressure (l/min) ¹⁾	Max. operating pressure (bar rel./psig)	Ultimate vacuum (mbar abs.)
N 838 KNDC	32.0	0.5/7.3	100
N 838 ANDC	32.0	0.5/7.3	100
N 838 KNDC-B	34.0	0.5/7.3	100
N 838 KN.29 DC-B	8.5-34.0	0.5/7.3	100

¹⁾ Liter at STP

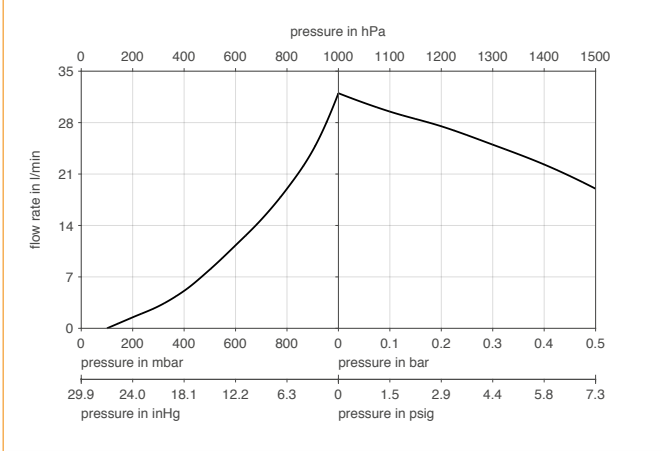
N 838 _NDC



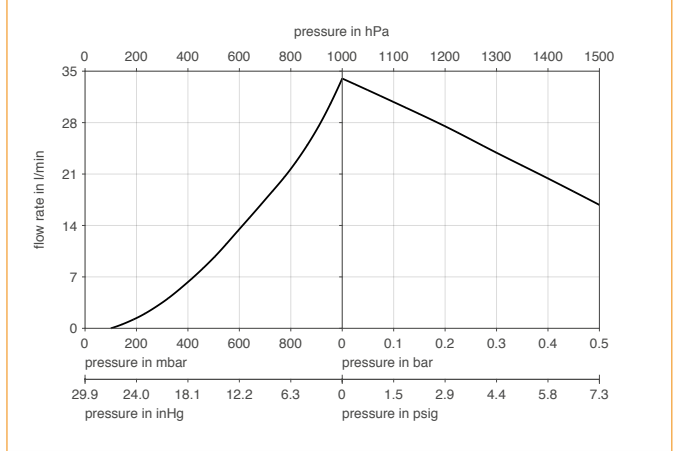
N 838 KNDC-B | KN.29 DC-B



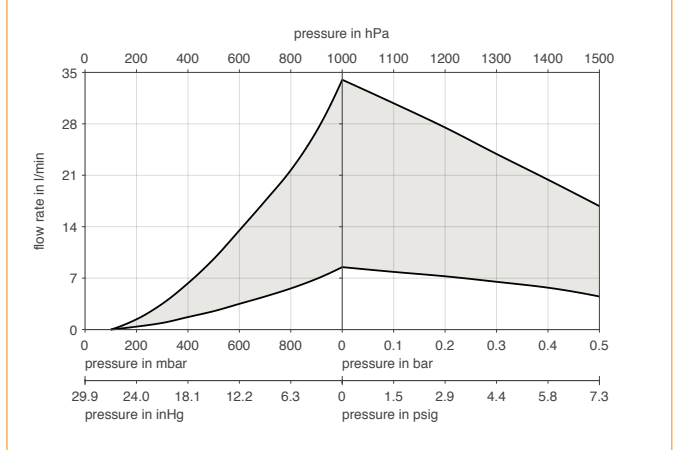
N 838 _NDC



N 838 KNDC-B



N 838 KN.29 DC-B



ACCESSORIES		
Description	Part No.	Details
Silencer/Inlet filter	007006	G 1/8
Hose connector	000360	G 1/8 PA

SPARE PARTS		
Description	Part No.	Details
Spare parts kit	043825	

The performance values for the series models shown on this data sheet were determined under test conditions. The actual performance values may differ and depend in particular on the usage conditions and therefore on the specific application, on the parameters of the components involved in the user's system and on any technical modifications carried out which deviate from the standard configuration or the as delivered condition.

If individual designs have been created for specific customers on the basis of series models, other technical performance data may apply. Before operation begins, the relevant operating instructions and/or assembly or installation instructions should be read and the safety information contained in these instructions should be noted. KNF reserves the right to make changes to the product and the associated documentation without prior notice to the customer.



www.knf.com